

# Installation Instructions: Firestay Downlights 10660/1/2/3/4 10655/6/7/8/9 10650/1/2/3/4

## Important Information

We recommend that luminaires are installed by a qualified electrician ensuring the installation complies with current IEE wiring regulations BS7671:2018 & local building control.

- BELL will not accept responsibility for any claims arising from a poor installation.
- Do not cover with any insulation.
- Internal use only.

This product may contain substances that can be hazardous to the environment if not disposed of properly. Electrical and electronic equipment should never be disposed of with general household waste but must be separated for its correct treatment and recovery.

Where possible recycle your packaging.



## NOT Insulation Coverable

Not suitable for covering with insulation material



## To replace GU10 lamp

- Remove the bezel by twisting anti-clockwise and insert the lamp into the rear of the bezel.
- Connect the lamp to the GU10 lamp holder.
- Re-connect the bezel into the firestay body by twisting clockwise.

Read these instructions before installation and retain for future reference



This equipment should be installed by a competent electrician

## Features

- Intumescent material completely seals the downlight in event of a fire.
- Fixed, adjustable and IP65 version available.
- Suitable for 30/60/90 minutes fire rated ceilings.

## Important installation information

- These luminaires are for indoor use only.
- Max voltages and watts: 240V GU10 Max 50W.
- **IMPORTANT** ensure that **ALL** electrical connections are tight with no loose strands including factory made components.
- Ensure there is adequate free air circulation of at least 50mm around the luminaire. All luminaires run hot. It is the installers responsibility to consider fire risk and take appropriate precautions
- The luminaire must not, under any circumstances, be covered with any insulation material, and luminaires must not be installed close to flammable material.
- Before commencing installation or maintenance ensure the electricity supply is switched off at the mains.
- The nearest illuminated surface must be at least 0.5m from the front of the luminaire.
- Do not use 50W lamps in this luminaire if it is to be mounted on flammable surfaces (max 35W in the shower unit).

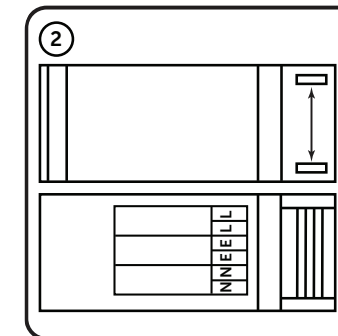
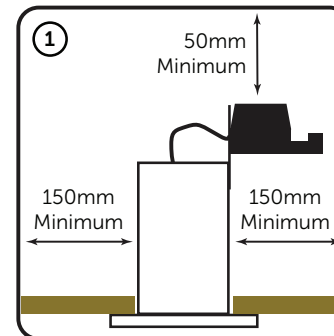
## Important user information

- Always switch off mains supply before servicing, fitting or changing the lamp.
- Replace failed lamps immediately, allow to cool before replacing.
- Check the correct lamp type and wattage is fitted 240V GU10 max 50W (Max 35W on flammable surfaces).

Cut-Outs	
Fixed	Ø68mm
Centre Tilt	Ø78mm
Shower	Ø68mm

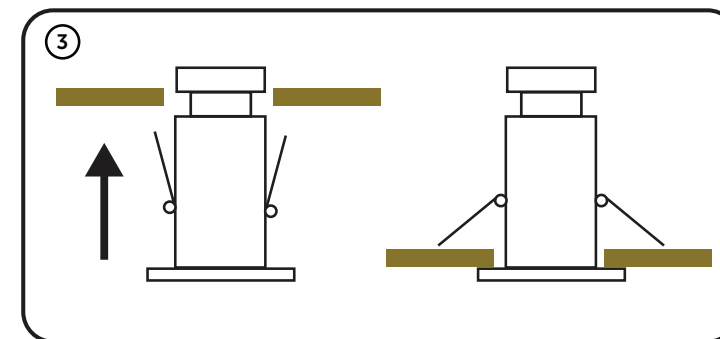
## Installation instructions

1. Select the required position for the luminaire ensuring the clearance shown in **fig 1** are observed. Beware of joists, water pipes and electric cables. Cut a hole in the ceiling appropriate for the type of luminaire to be fitted For IP65 units ensure the contact area between the fitting and the contact surface is smoothed for correct IP65 rating. A suitable silicon sealant may be used between the gasket of the downlight housing and the mounting surface. Failure to do this may result in IP65 rating not being maintained.
2. Fitting is supplied with 240V GU10 lamp holder fitted.
3. Connect the luminaire to the power supply for the lamp using the terminal block supplied see **fig 2**.
4. Slide the legs of the mounting spring clips into the ceiling cut-out and push the luminaire up into the aperture. The legs must be unobstructed to ensure that it is securely located on the ceiling **fig 3**.



Insert screwdriver to release cord grip to gain access to tool-less terminals.

Double insulated Class II



Technical Helpline +44 (0)1924 893380

www.belllighting.co.uk

British Electric Lamps Ltd

Unit A Foxbridge Way, Normanton Industrial Estate  
Normanton, West Yorkshire. WF6 1TN

T: +44 (0)1924 893380 F: +44 (0)1924 894320 E: sales@belllighting.co.uk

www.belllighting.co.uk